

► Our technology. Your success.

Pumps • Valves • Service



BOA-SuperCompact – Maintenance-free Soft-seated Globe Valve



Applications:

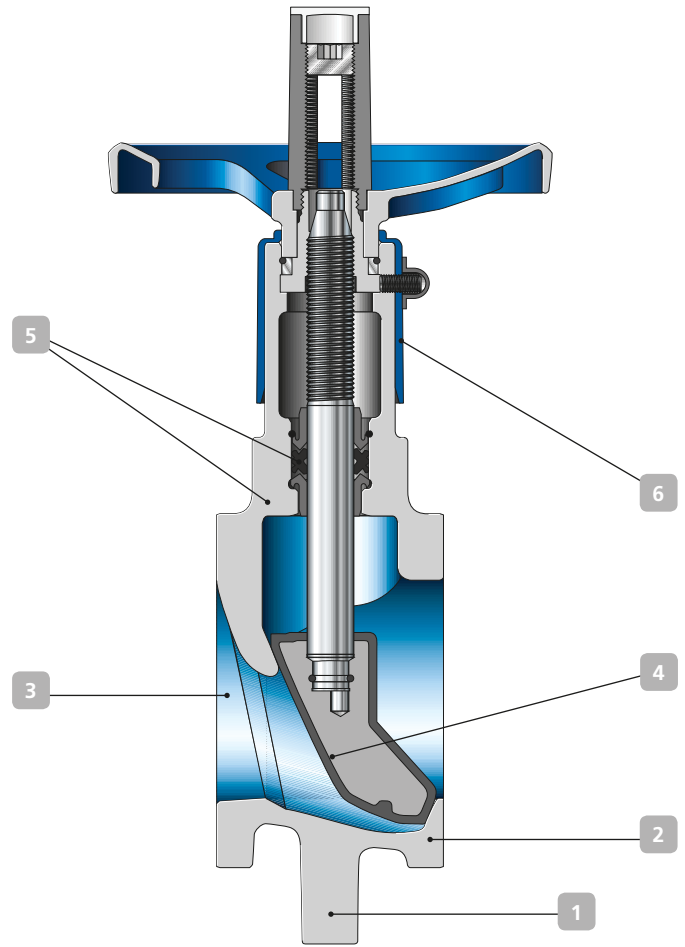
- Hot water heating systems
- Air-conditioning systems

More information:

www.ksb.com/products

BOA-SuperCompact – Maintenance-free Soft-seated Globe Valve

- 1 Universal use**
with complete bolt hole pattern for PN 6/10/16
in a single body
- 2 Space-saving low-weight design**
of body with face-to-face length to EN 558/94
[DN 20-150 (DN = face-to-face length)] or
EN 558/14 (DN 200)
- 3 Little pressure loss**
due to hydraulically favourable flow passage
- 4 One model for shut-off and throttling**
due to EPDM-encapsulated throttling plug
with linear characteristic
- 5 Zero leakage and zero maintenance for life**
due to lubricated-for-life EPDM profile ring and
single-piece body
- 6 Easy insulation**
due to simple body design and anti-condensation feature
(insulating cap)



Related type series



BOA-CVE
SuperCompact
Control valve with
electric actuator

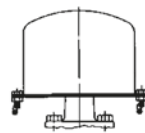


BOA-Compact
Soft-seated globe valve
with face-to-face length
to EN 558/14



BOA-Compact EKB
Drinking water approved
model with electrostatic
plastic coating (EKB)

Variants



Lead-sealable cap
(assembly set)

Technical data

Material	EN-GJL 250
Nominal pressure	PN 6/10/16 with a single body
Permissible operating temperature	-10 to +120°C
Permissible operating pressure	16 bar

The limits given in the technical codes must be complied with. Please contact us for details.



KSB SE & Co. KGaA
Johann-Klein-Straße 9
67227 Frankenthal (Germany)
www.ksb.com