

## BOACHEM-ZXAB – Maintenance-free Stainless Steel Globe Valve



BOACHEM-ZXAB

### Applications:

For aggressive fluids and sterile steam:

- In industrial plants and process engineering
- Building services
- Food and beverages industry

More information:

[www.ksb.com/products](http://www.ksb.com/products)



BOACHEM-ZXA



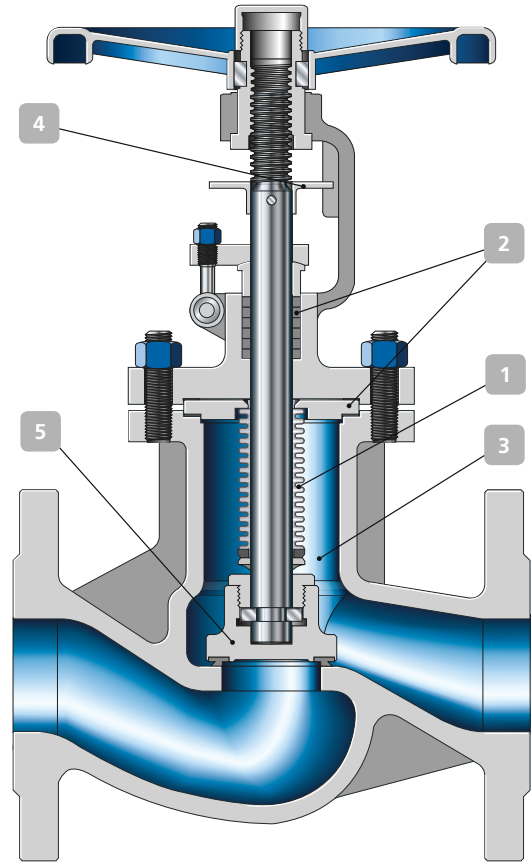
BOACHEM-RXA



BOACHEM-FSA

# BOACHEM-ZXAB – Maintenance-free Stainless Steel Globe Valve

- 1 High reliability of leak-proof**  
Multi-walled bellows welded to the stem at lower end, designed to withstand 1.5 times nominal pressure and verified of 2,500 working cycles at minimum.
- 2 Safe**  
Double gaskets fitted above and below end fitting of bellow assembly. Gland packing made of graphite for back-up sealing in event of bellows failure.
- 3 Longer service life**  
Bellows designed out of flow path to prevent fluids flushing and shocking. No vibration from plug to bellows.
- 4 Easy to operate and service**  
Position indicator and travel stop as standard.  
Easy to replace valve plug.
- 5 Reduced maintenance cost**  
Instead of the complete bellows set only the valve plug is replaced, if necessary.



## Standard variants

- For applications down to -60 °C
- Throttling valve plug
- Pilot plug
- Valve plug with PTFE ring
- Gland packing made of PTFE
- Serrated bonnet gasket (PTFE or graphite coated)
- Locking device / Travel stop
- Leakage detection hole
- Stellite seat / plug interface
- Oil and grease free
- Installation kit and installation of actuators
- Position switch
- Heating jacket made of 1.4541/1.4301 or 1.4571/1.4404
- Other flange designs

## Pressure/temperature ratings to EN 1092-1

Nom. pressure	Material	Permissible operating pressures in bar at a temperature of °C <sup>1)</sup>							
		20	100	150	200	250	300	350	400
PN 10	Stainless steel 1.4408	10	10	9	8.4	7.9	7.4	7.1	6.8
PN 16		16	16	14.5	13.4	12.7	11.8	11.4	10.9
PN 25		25	25	22.7	21	19.8	18.5	17.8	17.1
PN 40		40	40	36.3	33.7	31.8	29.7	28.5	27.4

<sup>1)</sup> The valves can be used down to -10 °C.

## Additional type series

BOACHEM-ZXA globe valve with gland packing  
BOACHEM-RXA non-return valve  
BOACHEM-FSA strainer

## Technical data

Pressure Up to 40 bar  
Temperature Up to 400 °C

## Materials

DN 15 – 400 Stainless steel 1.4408



KSB SE & Co. KGaA  
Johann-Klein-Straße 9  
67227 Frankenthal (Germany)  
www.ksb.com