

BOACHEM ZXA/ZYA – Stainless Steel Globe Valve with Gland Packing



BOACHEM ZXA

Applications:

For aggressive fluids and sterile steam:

- In industrial plants and process engineering
- Building services
- Food and beverages industry

More information:

www.ksb.com/products

Your contact:

Form area for contact information, consisting of a large empty rectangular box with corner brackets.



BOACHEM ZYA



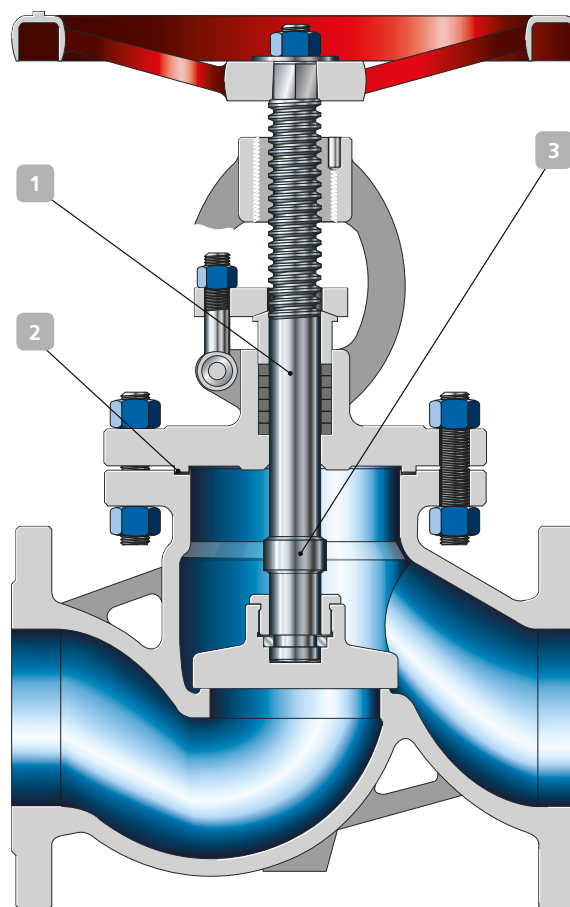
BOACHEM RXA



BOACHEM FSA

BOACHEM ZXA/ZYA – Stainless Steel Globe Valve with Gland Packing

- 1 Long service life and high functional reliability**
of the gland packing due to stem with burnished shank.
 - 2 Reliable sealing**
Bonnet gasket fully confined to prevent creep.
 - 3 Additional safety and blow-out protection**
Back seat as standard.
- Standard variants**
- For applications down to -60 °C
 - Throttling valve plug
 - Pilot plug
 - Valve plug with PTFE ring
 - Gland packing made of PTFE
 - Serrated bonnet gasket (PTFE or graphite coated)
 - Position indicator
 - Oil and grease free
 - Heating jacket made of 1.4541/1.4301 or 1.4571/1.4404
 - Other flange designs



Pressure/temperature ratings to EN 1092-1

Nom. pressure	Material	Permissible operating pressures in bar at a temperature of °C ¹⁾							
		20	100	150	200	250	300	350	400
PN 10	Stainless steel 1.4408	10	10	9	8.4	7.9	7.4	7.1	6.8
PN 16		16	16	14.5	13.4	12.7	11.8	11.4	10.9
PN 25		25	25	22.7	21	19.8	18.5	17.8	17.1
PN 40		40	40	36.3	33.7	31.8	29.7	28.5	27.4

¹⁾ The valves can be used down to -10 °C.

Technical data

Pressure	up to 40 bar
Temperature	up to 400 °C

Materials

DN 15 - 300 Stainless steel 1.4408

Additional type series

BOACHEM ZXAB/ZYAB bellows-type globe valve
BOACHEM RXA non-return valve
BOACHEM FSA strainer



KSB Aktiengesellschaft
Johann-Klein-Straße 9
67227 Frankenthal (Germany)
www.ksb.com