

Etaline L / Etaline DL – the Flexible and Energy-efficient In-line Pump



Etaline L with PumpDrive

Applications:

- Heating systems
- Air-conditioning systems
- Cooling circuits
- Water supply systems
- Service water supply systems
- Industrial recirculation systems
- Swimming pools

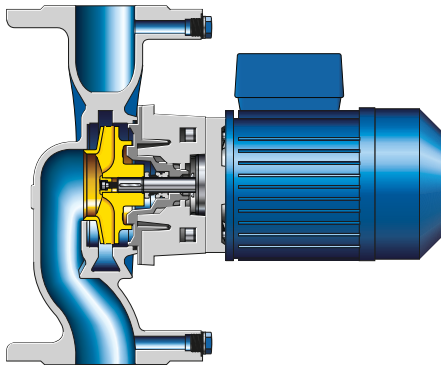
More information:

www.ksb.com/products

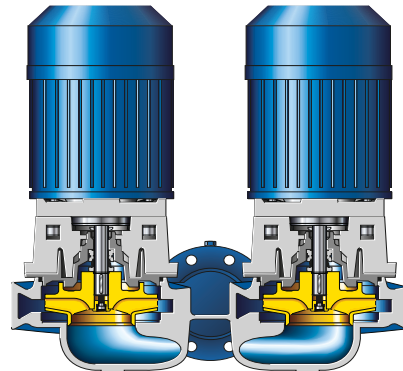


Etaline DL

Etaline L / Etaline DL – the Flexible and Energy-efficient In-line Pump



Etaline L



Etaline DL

Energy-efficient

- Maximum energy efficiency by variable speed operation with PumpDrive
- High efficiency by optimised and experimentally verified hydraulic system
- Low energy costs through compliance with Commission Regulation 547/2012 (MEI ≥ 0.4)

Reliable

- Little wear, low vibration levels and excellent smooth running characteristics thanks to good suction performance and virtually cavitation-free operation across a wide operating range
- Casing sealed reliably – even in varying operating conditions – by confined casing gasket
- Low-noise low-vibration motors specially designed for Etaline L. Also available as 2-pole motors
- High level of reliability ensured by twin pump design

Versatile

- Flexible installation thanks to in-line design
- Large variety of materials for perfectly matching the pump to the fluid handled. A large range of materials for many applications is available as standard
- 28 sizes available (Etaline L and Etaline DL)

Service-friendly

- Plug & Pump: easy to commission and operate
- All pumps with PumpDrive are pre-set at the factory
- Service available worldwide

Etaline L / Etaline DL materials

Volute casing	Grey cast iron EN-GJL-200 / EN-GJL-250 (only DN80) Bronze G-CuSn10Zn (only Etaline L)
Impeller	Grey cast iron EN-GJL-150 Bronze G-CuSn10Zn Polysulphone PSU-GF30
Drive lantern	Aluminium AC-46500
Cap, conical	Polyamide 66 Polysulphone PSU-GF30

Technical data

	Etaline L	Etaline DL
Flow rate Single-pump operation		95 m ³ /h 26.3 l/s
Flow rate Parallel operation	–	Up to 150 m ³ /h 42 l/s
Head		21 m
Fluid temperature		-15 to +120 °C
Operating pressure		≤ 10 bar
Nominal diameter	G1 ½, G2, DN32 to 80	G2, DN32 to 80



KSB SE & Co. KGaA
Johann-Klein-Straße 9
67227 Frankenthal (Germany)
www.ksb.com